

ARGON

Instruction Manual

MODEL NO.: SUB850

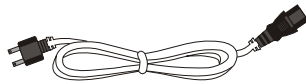
www.argonaudio.com

Contents

Contents / Accessories	P2
Important Safety Instructions	P3
Unpacking etc.	P4
Introduction of SUB850 Subwoofer Features	P5
Position introduction	P6
Connection configuration	P7,P8
Troubleshooting	P9
Specifications	P10

Accessories

- AC power cable
- High-density foam protectors/sonic isolation pads
- Instruction manual



Important Safety Instructions

- Read these instructions for all components before using this product.
- Keep these instructions for future reference.
- Heed all warnings on the product and in the owner guide.
- Follow all instructions.
- Do not use this apparatus near water or moisture. Do not use this product near a bathtub, washbowl, kitchen sink, laundry tub, in a wet basement, near a swimming pool, or anywhere else that water or moisture are present.
- Clean only with a dry cloth and as directed by the manufacturer. Unplug this product from the wall outlet before cleaning.
- Do not block any ventilation openings. Install in accordance with the manufacturer instructions. To ensure reliable operation of the product and to protect it from overheating, put the product in a position and location that will not interfere with its proper ventilation. For example, do not place the product on a bed, sofa, or similar surface that may block the ventilation openings. Do not put it in a built-in system, such as a bookcase or a cabinet that may keep air from flowing through its ventilation openings.
- Do not install near any heat sources, such as radiators, heat registers, stoves or other apparatus that produce heat.
- Protect the power cord from being walked on or pinched, particularly at plugs, convenience receptacles, and the point where they exit from the apparatus.
- Only use attachments or accessories specified by the manufacturer.
- Servicing is required when the apparatus has been damaged in any way such as power supply cord or plug is damaged; liquid has been spilled or objects have fallen into the Important Safety Instructions apparatus ;the apparatus has been exposed to rain or moisture, does not operate normally, or has been dropped. Do not attempt to service this product yourself. Opening or removing covers may expose you to dangerous voltages or other hazards. Please contact the manufacturer to be referred to an authorized service center near you.
- To prevent risk of fire or electric shock, avoid over loading wall outlets, extension cords, or integral convenience receptacles .
- Do not let objects or liquids enter the product as they may touch dangerous voltage points or short out parts that could result in a fire or electric shock.
- See product enclosure bottom for safety related markings.
- Use Proper Power Sources. Plug the product into a proper power source, as described in the operating instructions or as marked on the product.

"⊞" This symbol means that this unit is double insulated.

An earth connection is not required.



Warning!

To reduce the risk of electric shock, do not open or remove cover or back. Do not expose this appliance to rain or moisture. In case of malfunction consult qualified service personae.



The lightning flash with arrowhead, within an equilateral triangle, intended to alert the user of the presence of uninsulated „dangerous voltage“ within the product’s enclosure; that may be of sufficient magnitude to constitute a risk of electric shock to persons!



The exclamation point, within an equilateral triangle, is attended to alert the user of the presence of important operating and maintenance (servicing) instructions in the literature accompanying the appliance.

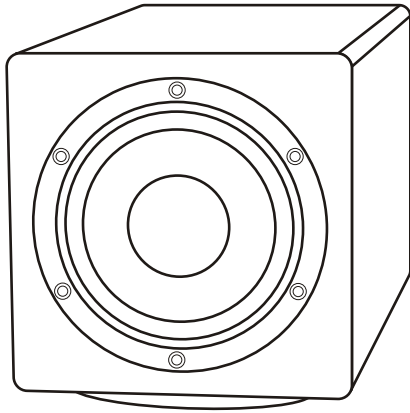
Unpacking

Your Argon speakers were carefully tested and inspected before packaging and shipping. After unpacking please check for any damage. It is rare that a unit is damaged during shipping, but if this does happen contact the shipping company immediately. We recommend that you keep the original carton and packing material for future shipping.

Recommended Speaker Setup

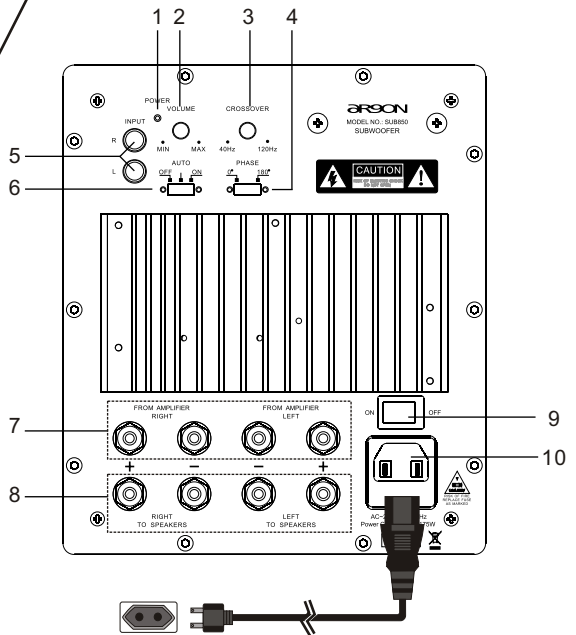
It is true that proper speaker placement has a huge impact on sound quality. There are many different theories, but all rooms and tastes are different so it's impossible to specify a correct placement. We do suggest you experiment with a few different locations to see what works for you.

SUB850 Subwoofer Features



Front View

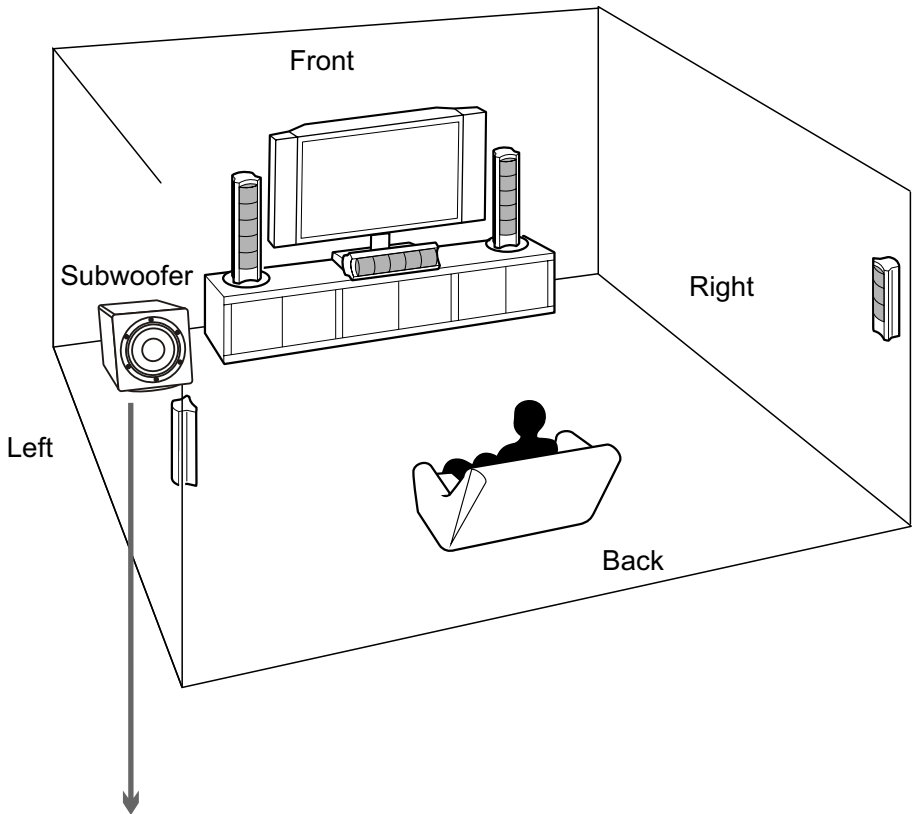
Back View



Argon Speakers Features

- | | |
|--------------------|----------------------------------------------------------------|
| 1. POWER (Led): | to indicate the unit work on (green) or standby (red). |
| 2. VOLUME: | to adjust the volume level. |
| 3. Crossover: | to adjust the frequency (from 40-120 Hz). |
| 4. PHASE: | to switch the phase (0 or 180 degree). |
| 5. INPUT: | to connect Right/Left output of low level signal source. |
| 6. OFF/AUTO/ON: | to switch the signal on/standby/off. |
| 7. FROM AMPLIFIER: | to connect Right/Left output of amplifier(high signal source). |
| 8. TO SPEAKER: | to connect Right/Left speaker(s). |
| 9. Power switcher: | to turn on/off the power. |
| 10. Power inlet: | to connect the power outlet. |

Subwoofer position introduction



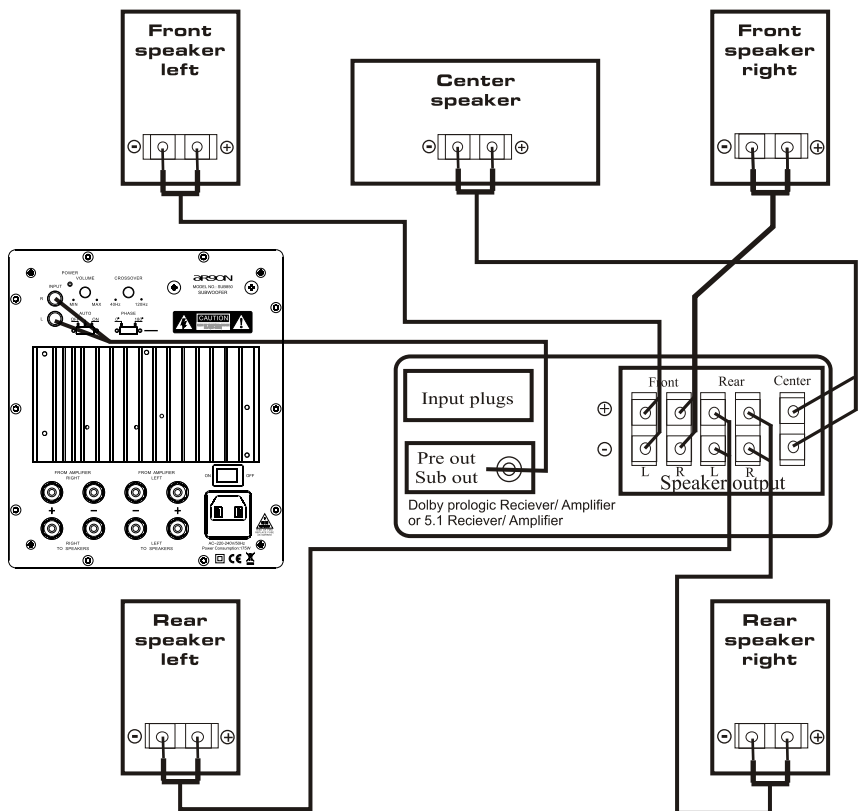
Subwoofer

The subwoofer handles the bass sounds of the LFE (Low-Frequency Effects) channel. The volume and quality of the bass output from your subwoofer will depend on its position, the shape of your listening room, and your listening position.

In general, a good bass sound can be obtained by installing the subwoofer in a front corner (as shown), or at one-third the width of the wall.

Configuration A

From amplifier with pre out (or Sub out) to subwoofer:
Connect the RCA cable from the amplifier pre out (or Sub out) to INPUT in on the active subwoofer. Hereby the sound signal runs from amplifier subwoofer pre out (or Sub out) to the active subwoofer.



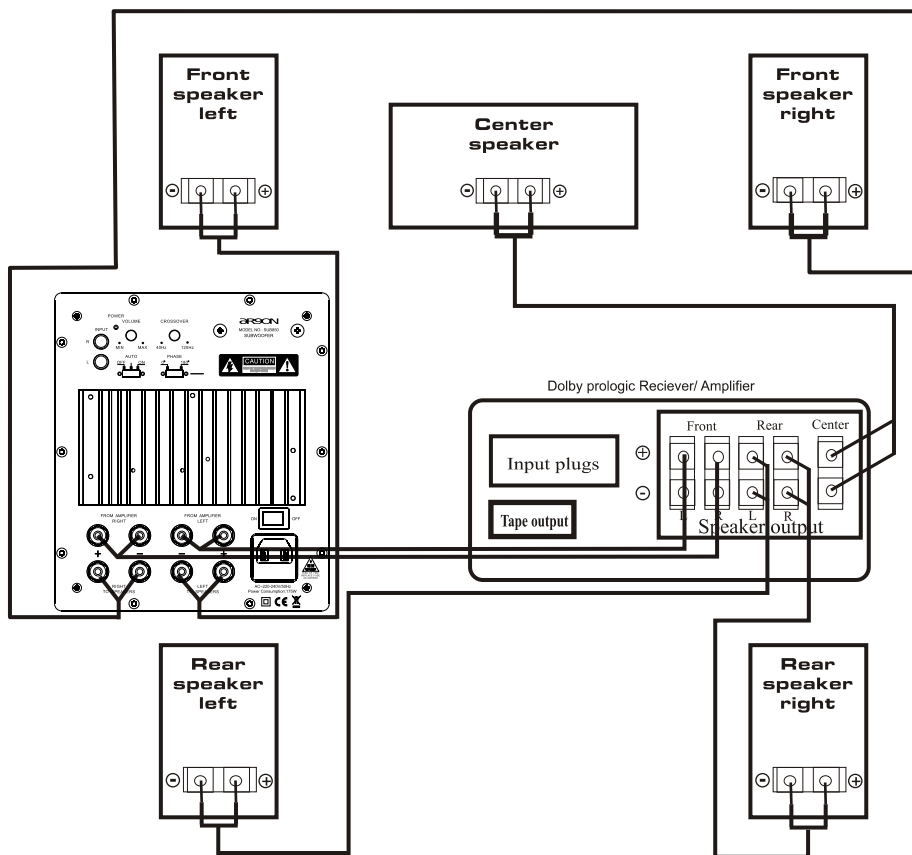
Configuration B

From amplifier speaker out to subwoofer:

Connect the speaker cords from the amplifier speaker terminals to INPUT (FROM AMPLIFIER - Right/Left) with the active subwoofer. Make sure that the right channel on the amplifier is connected to the right channel on the subwoofer, the same connection for the left channel as well.

Next, connect the front speakers from OUTPUT(TO SPEAKERS - Right/Left) from the active subwoofer. Make sure that the right channel on the subwoofer is connected to the right speaker, the same connection for the left channel as well.

Notice: that when connecting the SUB850 via speaker output from the amplifier, the full frequency signal will be send to the satellite speakers.



Basic Troubleshootings

Symptom	Possible cause	Remedy
The subwoofer does not turn on?	The power plug is not fully inserted into the wall outlet.	Insert the power plug fully into the wall outlet.
The subwoofer produces no sound?	The VOLUME control is set to minimum.	Turn up the VOLUME control.
	The RCA cable is not properly connected to the subwoofer's INPUT (R/L).	Make sure that the RCA cable is properly connected to the subwoofer's LINE INPUT (R/L).
	The speaker cord is not properly connected with the subwoofer's or amplifier's terminals.	Make sure that the speaker cord is properly connected to the subwoofer's and amplifier's terminals.
	The level of the input signal was too low and the subwoofer entered Standby mode.	Slightly increase the subwoofer preout output level on your amplifier.
	On your amp or receiver, the speaker setting is set to Subwoofer NO, or the subwoofer mode is set to Off.	Check the settings on your amp or receiver.
The subwoofer produces hardly any sound?	The source material contains little or no bass content.	Choose source material with more bass content.
A humming sound can be heard from the subwoofer?	The RCA cable is not properly connected to the subwoofer's INPUT.	Make sure that the RCA cable is properly connected to the subwoofer's INPUT.
	External interference from a TV or other electronic device is being picked up.	Move the subwoofer and RCA cable away from the interference source. Make sure your audio system is grounded properly.

Argon SUB850 General Specifications:

Type:	1-way, powered speaker system
Inputs:	1xRight/Left low level input, 1xRight/Left high level input
Outputs:	USB Type A (power charging only)
Main voltages:	220-240V, 50/60Hz
Amplifier type:	Dual Class AB monolithic
Signal-to-noise:	>90dB (typical A-weighted)
THD:	<1% at all power settings
Frequency response:	40Hz-120Hz +/-3dB
Input impedance:	10K ohms unbalanced
Protection:	Output current limiting, Over-temperature thermal, Power on/off transient protection
- Power output:	RMS 90W
- Size:	W270 x D270 x H270 (mm)
- Net Weight:	10.0 Kg

Materials and Construction

- 18mm thick MDF cabinets, with 21mm front and back panels.
- 8" Kevlar woofers with advanced voice coils
- Torroidal power transformers

argon

Quality has always been our driving force and founding Argon Audio is a natural extension of this philosophy. We have 20 years' experience in creating and specifying high quality products, manufacturing them and selling them on to end users with Value-for-Money as the primary aim. And Argon Audio is a brand fully compliant with these values.

Design, features and quality standards are all specified in Denmark and manufacturing takes place in the Far East, where quality vendors are highly competitive - and as a result supply outstanding Value-for-Money products to the delight of both ourselves and our customers!

www.argonaudio.com



Item Number. xxxxx